



## EMR Series

### DUAL SEMI RECESSED ROUND HEAD EMERGENCY UNIT

The EMR Series Emergency Lighting Unit with its Contemporary Round Heads, make it fit with any decor. The Fully Adjustable Super Bright Lamps provide 90 Minutes of Light in Backup Mode for a Safe Path of Egress. The Quick Connect Mounting System makes it a snap to Install and Very Contractor Friendly.

#### Construction

High Impact V5 Flame Retardant Thermoplastic

#### Finishes

Available in White or Black

#### Illumination

Provided by Two 6V 5.4W Fully Adjustable Heads

#### Installation

Universal Wall or Ceiling Mount. Quick Connect Mounting System lets you mount and wire the Backplate and the entire unit snaps to the backplate. Easily removed to prevent damage during finish work.

#### Electrical

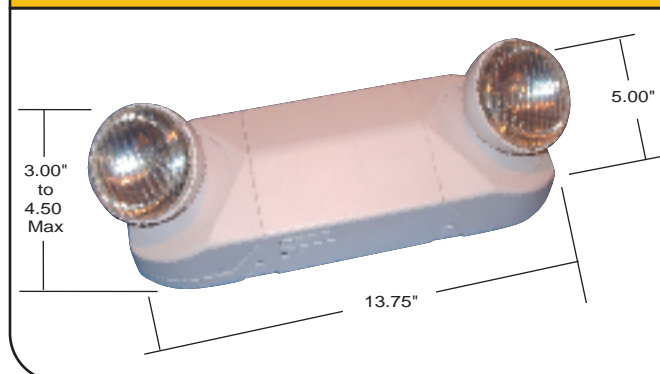
Field selectable 120/277 Input Voltage Transformer with Automatic Low Voltage disconnect (LVD) protects the battery from deep discharge. When normal AC power fails, the solid state transformer switch automatically connects to the battery for 90 minutes and is fully recharged in 24 hours. Premium 6Volt 4.5Ah Lead Acid Battery. Integrated momentary test switch and LED power indicator.

#### Features

- Super Bright 5.4W Lamps
- Premium Rechargeable 6V 4.5AmhLead Acid Battery
- Quick Connect Mounting
- Meets UL-924 and NFPA Life Safety Code 101
- Damp Location Rated
- Universal 120/277VAC Operation



#### Dimensions



#### Ordering Information

<b>SERIES</b>	EMR-
<b>HOUSING COLOR</b>	W - White B - Black

**EXAMPLE: EMR-W**

#### Warranty

Five Year full electronics warranty.  
Ten Year battery warranty.  
(Five Years Full / Five Years Prorated)